

AC/DC CURRENT DIGITAL CLAMP-ON TESTER

M-270

INSTRUCTION MANUAL

Thank you very much for selecting our digital AC/DC clamp-on Tester M-270.

This model is complex instrument and employ a very reliable mechanical/electronic design.

Before you use your new instrument, read this Instruction Manual completely and familiarize yourself thoroughly with all functions.

Keep this manual carefully to take out whenever you need.

1. FEATURES

- Low cost high performance and True RMS reading AC/DC clamp-on tester.
- 4000 count full scale display.
- Additional AC/DC voltage, resistance, frequency test, diode test and continuity check.
- Data hold and auto power off function.
- Convenient push switch for auto zero adjustment for DC current measurement.

2. ⚠WARNING

- Do not make measurements of power lines carrying more than 250V.
IN SOME CASES, POWER LINES MAY CARRY VOLTAGE SPIKES OF SEVERAL TIMES OF THE NORMAL SUPPLY VOLTAGE. THIS INSTRUMENT SHOULD NOT BE USED TO MEASURE POWER LINES.
*The term of "POWER LINE" means the electrical circuit providing the power to factories, buildings, and etc.
- Before operating this instrument, familiarize yourself with all instructions outlined in this manual.
- Always check to make sure that the function switch is set to the proper position.
- When making measurements, use CAUTION as dangerous voltages may be present in normally safe areas.
- To avoid electrical shock, use CAUTION when working above 60V DC or 25V AC rms.
Such voltages pose a shock hazard.
- Never make measurements with the case opened.
- Never fail to keep the maximum tolerable input.
- Never operate this instrument if it becomes wet, damp or has any liquid condensation build-up on any part of the instrument.
- Never make measurements for uninsulated conductors or bus bars.

3. SPECIFICATIONS

AC conversion: AC coupled true rms reading

Crest factor: <3 (0~50% of the range) <2 (50~100% of the range)

Safety standard : Meets the requirements for double insulation to IEC 1010-2-032, IEC 61010-1, IEC 61010-2-032 installation Category III 600V phase to earth.

E.M.C. standard : The instrument meets EN 61326-1/-2-2 and EN 61000-4-2/-3

Withstanding voltage : AC 5500V, 1 minute (between outer case and core of CT)

Measuring method : Dual integration mode

Jaw opening capability : 55mm ϕ

Display : 3 1/2 digit LCD max. reading of 3999 and annunciators

Over range indication : Blanking of all digits except MSD1 (except for AC/DC 600V
And AC/DC 2000A ranges)

Low battery indication : "B" mark on LCD readout

Sampling : 2 times/sec.

Data hold indication : "D·H" mark on LCD readout

Auto power off : The meter is set to power off mode approx. 10 minutes after the power switch on.

Operating temperature : 0°C to 40°C, < 80%RH (non-condensing)

Storage temperature : - 10°C to 60°C, < 70%RH (non-condensing)

Power supply : 1.5V ("AAA" size, R03) x2

Power consumption and battery life : Approx. 25mW, 90 hours continuous.

Size : 85(W)x240(H)x34(D)mm

Weight : Approx. 350g

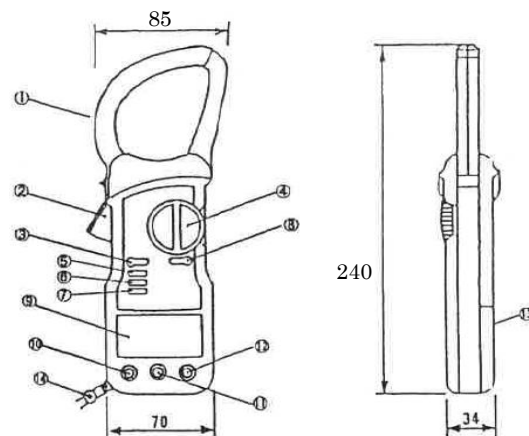
Accessories : Carrying case.....1
Instruction manual.....1
Batteries.....2
Test lead.....1set

Measuring range (23°C ± 5°C, < 80% RH) :

Range/Resolution		Accuracy	Max. input
~A (50/60Hz) — A Manual range	40A/0.01A	± 2.0% rdg ± 8 dgt	AC/DC 2000A
	400A/0.1A		
	2000A/1A	± 1.5% rdg ± 8 dgt	
~V (50/60Hz) — V Auto/manual range	400mV/0.1mV	± 1.2% rdg ± 5 dgt	AC/DC 600V rms
	4V/0.001V		
	40V/0.01V		
	400V/0.1V		
	600V/1V		
Hz Frequency Auto range	100Hz/0.01Hz	± 0.5% rdg ± 3 dgt	AC/DC 600V rms
	1000Hz/0.1Hz		
	10KHz/0.001KHz		
	100KHz/0.01KHz		
	1000KHz/0.1KHz		
Resistance	400 Ω / 0.1 Ω	± 1.5% rdg ± 8 dgt	Input Protection
	4K Ω / 0.001K Ω		250V rms
	40K Ω / 0.01K Ω		
	400K Ω / 0.1K Ω		
	4000K Ω / 1K Ω		
	40M Ω / 0.01M Ω	± 3% rdg ± 10 dgt	
·))) Continuity check	400 Ω / 0.01 Ω	Continuity beeper < Approx. 40 Ω	250V rms
→ Diode test	2V	± 10% rdg ± 3 dgt	250V rms

4. DIMENSIONS AND PANEL FUNCTION

- ① Current transducer(Jaw)
- ② Jaw opening lever
- ③ Power switch
- ④ Function switch
- ⑤ Range switch
- ⑥ Sub-function switch (—/~, Ω/·))
- ⑦ Zero adjustment switch
- ⑧ Data hold switch
- ⑨ LCD display
- ⑩ Input terminal(V)(Hz)
- ⑪ COM terminal
- ⑫ Input terminal(Ω)(→|)
- ⑬ Battery cover
- ⑭ Wrist strap



5. METHOD OF MEASUREMENT

5-1. Measurement of Current

5-1-1 Measurement of DC Current

- ① Set the power switch to "ON" position.
- ② Set the function switch to a range appropriate to the current to be measured.
- ③ Press the zero adjustment switch once, the zero display will be observed.

Note: When pressing the zero adjustment switch in DC 40A range, even if the zero display is not obtained for high sensitivity, however, this is not abnormal and the accuracy is kept in the tolerance.

- ④ Clamp the conductor of the circuit at the center of CT.
- ⑤ Read the current value in the display.
- ⑥ If you make measurements in a dark place or in a place where it is difficult to see the readings, use the data hold switch.



Fig.1

Note : Clamp around only one conductor of the circuit to be measured. (See Fig.1)
Over range value is moved due to the zero adjustment, however, this is not abnormal.
To release the zero adjustment mode, press the zero adjustment switch at least 1 second.

5-1-2 Measurement of AC Current

- ① Set the power switch to "ON" position.
- ② Set the function switch to a range appropriate to the current to be measured.
- ③ Press the sub-function switch for AC measurement, “~” mark is displayed.
- ④ Clamp the conductor of the circuit at the center of CT.
- ⑤ Read the current value in the display.
- ⑥ If you make measurements in a dark place or in a place where it is difficult to see the readings, use the data hold switch.

Note : Clamp around only one conductor of the circuit to be measured. (See Fig.1)
When making the clamp measurements for high AC current, the noise sound of CT may be caused, however, this is not abnormal.

△WARNING

- To avoid electrical shock or damage, the measurement is limited to the circuit under 600V AC.
Such voltages pose a shock hazard.
- Never fail to keep the maximum 2000A input to avoid electrical shock or damage.
- Never make measurements for uninsulated conductors or bus bars.

5-2. Measurement of Voltage

5-2-1. Measurement of AC Voltage

- ① Set the power switch to "ON" position.
- ② Connect the plug of red test lead into the "V" terminal and the plug of black test lead into the "COM" terminal.
- ③ Set the function switch to " \sim V" range. The auto ranging mode is selected.
- ④ Contact the tips of the test leads to the circuit under test.
- ⑤ Read the voltage value in the display.

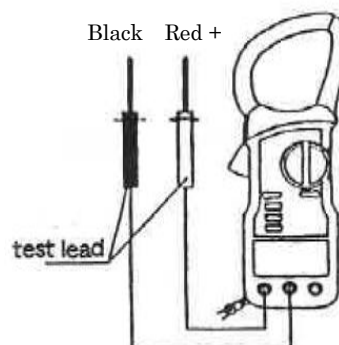


Fig. 2

Manual range mode:

Press the range switch to the manual range mode.

the instrument changes from the auto range to the manual ranging mode and the range is held. Subsequent pressing of switch causes the up-and down-ranging as below.

4V → 40V → 400V → 600V → 400mV ↓
↑ _____

To return to the auto ranging mode, press the range switch at least one second.

5-2-2. Measurement of DC Voltage

- ① Set the power switch to "ON" position.
- ② Connect the plug of red test lead into the "V" terminal and the plug of black test lead into the "COM" terminal.
- ③ Set the range selector switch to " $\overline{\text{V}}$ " range. The auto ranging mode is selected.
- ④ Contact the tips of the test leads to the circuit under test.
- ⑤ Read the voltage value in the display.

Manual range mode:

Press the range switch to select the manual range mode. The instruments changes from the auto ranging to the manual ranging mode and the range is held.

Subsequent pressing of the switch caused the up- and down-ranging as below.

400mV → 4V → 40V → 400V → 600V ↓
↑ _____

To return to the auto ranging mode, press the range switch at least one second.

△WARNING

Do not make measurements of power lines carrying more than 250V.
IN SOME CASES, POWER LINES MAY CARRY VOLTAGE SPIKES OF SEVERAL TIMES OF THE NORMAL SUPPLY VOLTAGE. THIS INSTRUMENT SHOULD NOT BE USED TO MEASURE POWER LINES.

* The term of "POWER LINE" means the electrical circuit providing the power to factories, buildings and etc.

△WARNING

POSSIBLE ELECTRICAL SHOCK. Do not make measurements if the case is damaged or the rear case is removed. Remove all electrical inputs before removing the rear case.

△WARNING

POSSIBLE ELECTRICAL SHOCK or FIRE HAZARD. Do not expose this tester to rain or moisture. Do not operate the tester in the presence of flammable gases or fumes.

△CAUTION

To avoid damage to the tester, disconnect test leads before changing functions. Do not exceed the maximum input limits.

5-3. Measurement of Resistance and Continuity Check

- ① Set the power switch to "ON" position.
- ② Connect the plug of red test lead into the "Ω" terminal and the plug of black test lead into the "COM" terminal.
- ③ Set the function switch to "Ω" range.
The auto ranging mode is selected
- ④ Contact the tips of the test leads to the circuit under test.
- ⑤ Read the resistance value in the display.

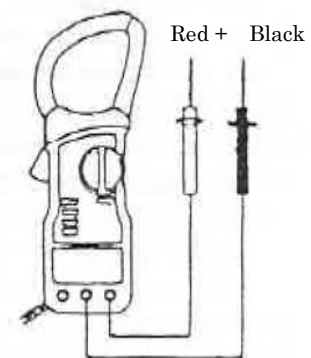


Fig.3

To select the continuity check, press the sub-function switch and “•)”)” mark is displayed. In the continuity check mode, if the circuit under test has a resistance of less than approximately 40Ω, the continuity beeper will sound.

Manual range mode:

Press the range switch to select the manual range mode. The instrument changes from the auto ranging to the manual ranging mode and the range is held. Subsequent pressing of the switch caused the up- and down-ranging as below.

40MΩ → 400Ω → 4KΩ → 40KΩ → 400KΩ → 4000KΩ ↓
↑ _____

To return to the auto ranging mode, press the range switch at least one second.

△CAUTION

Be sure all voltage is turned OFF in the circuit before making resistance measurement.

5-4. Measurement of Frequency (Hz)

- ① Set the power switch to "ON" position.
- ② Connect the plug of red test lead into the "Hz" terminal and the plug of black test lead into the "COM" terminal.
- ③ Set the function switch to "Hz" range. The auto ranging mode is selected and the input sensitivity is set to 10mV.
- ④ Press the range switch to select the input sensitivity.

Subsequent pressing of the switch changes the sensitivity as below

10mV → 100mV → 1V ↓
↑ _____

- ⑤ Contact the tips of the test leads to the circuit under test.
- ⑥ Read the frequency value in the display.

△ WARNING

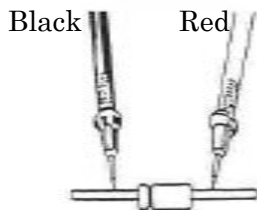
Do not make measurements of power lines carrying more than 250V. IN SOME CASES, POWER LINES MAY CARRY VOLTAGE SPIKES OF SEVERAL TIMES OF THE NORMAL SUPPLY VOLTAGE. THIS INSTRUMENT SHOULD NOT BE USED TO MEASURE POWER LINES.

* The term of "POWER LINE" means the electrical circuit providing the power to factories, buildings and etc.

5-5. Measurement of Diode

- ① Set the power switch to "ON" position.
- ② Connect the plug of red test lead into the "▶| " terminal and the plug of black test lead into the "COM" terminal.
- ③ Set the range selector switch to "▶| " range.
- ④ Contact the tips of the test leads to the diode under test.

(a) Forward voltage measurement



(b) Reverse Voltage measurement

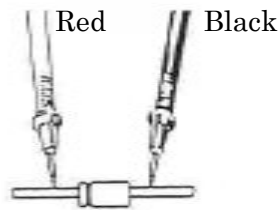


Fig. 4

As shown in Fig.4 (a), when measuring the forward voltage across the diode, a normal diode will indicate 0.4 to 0.7V and, as shown in Fig.4 (b) the reverse voltage will indicate a value near 3.000V. For a short-circuited diode, a value near 0mV will be displayed.

△ CAUTION

Be sure all voltage is turned OFF in the circuit before making diode test.

6. REPLACEMENT OF BATTERIES

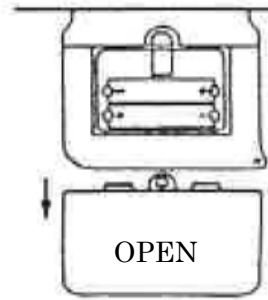
When the battery voltage falls below a specified voltage value, the "B" mark will appear in the display. If this occurs, replace the two batteries with new ones as quickly as possible.

Turn the power switch to "OFF", prior to installing batteries.

To install the batteries, remove the battery cover located on the unit back. Loosen the screw on the battery cover.

Replace the two batteries (UM-4 or type AAA) with new ones, observing polarity. Use high-quality batteries which are guaranteed against leakage.

If the instrument is to be left unused for long periods of time, to prevent damage from leakage, remove the batteries.



Battery Cover

△WARNING

POSSIBLE ELECTRICAL SHOCK AND FIRE HAZARD

Do not replace the batteries, clamping CT to the conductor or during voltage measurement.

Do not use the instrument keeping battery cover off.

7. REPAIR SERVICE

When making requests for repair service, please bring the instrument directly to the dealer. If this is impossible, however, send the instrument directly to our sales office. When mailing this instrument, always pack it in its original or equivalent packing material and pack together with name, address, telephone number and the warranty documentation.

- To ensure speedy and reliable repair, always include information as the type of failure and cause.
- If required, always return accessories with the instrument.
- When contacting us, provide the model number and serial number of your instrument.

8. WARRANTY

This instrument is sent out from our factory after the sufficient internal inspections but if you find any defect due to the fault in our workmanship or the original parts, please contact the dealer where you bought the instrument.

The warranty period is 12 months from the date of purchase and the instrument shall be repaired at free of charge, provided that we judge the cause of defect is obviously resulted from our responsibility.

MULTI MEASURING INSTRUMENTS CO.,LTD.

Akihabara Murai Bldg. 7F, 1-26 Kanda Sakuma-cho,

Chiyoda-ku, Tokyo, Japan, 101-0025

TEL : +81-3-3251-7016 FAX : +81-3-3253-4278

Home Page : <http://www.mutimic.com/>

E-mail : multi@multimic.com